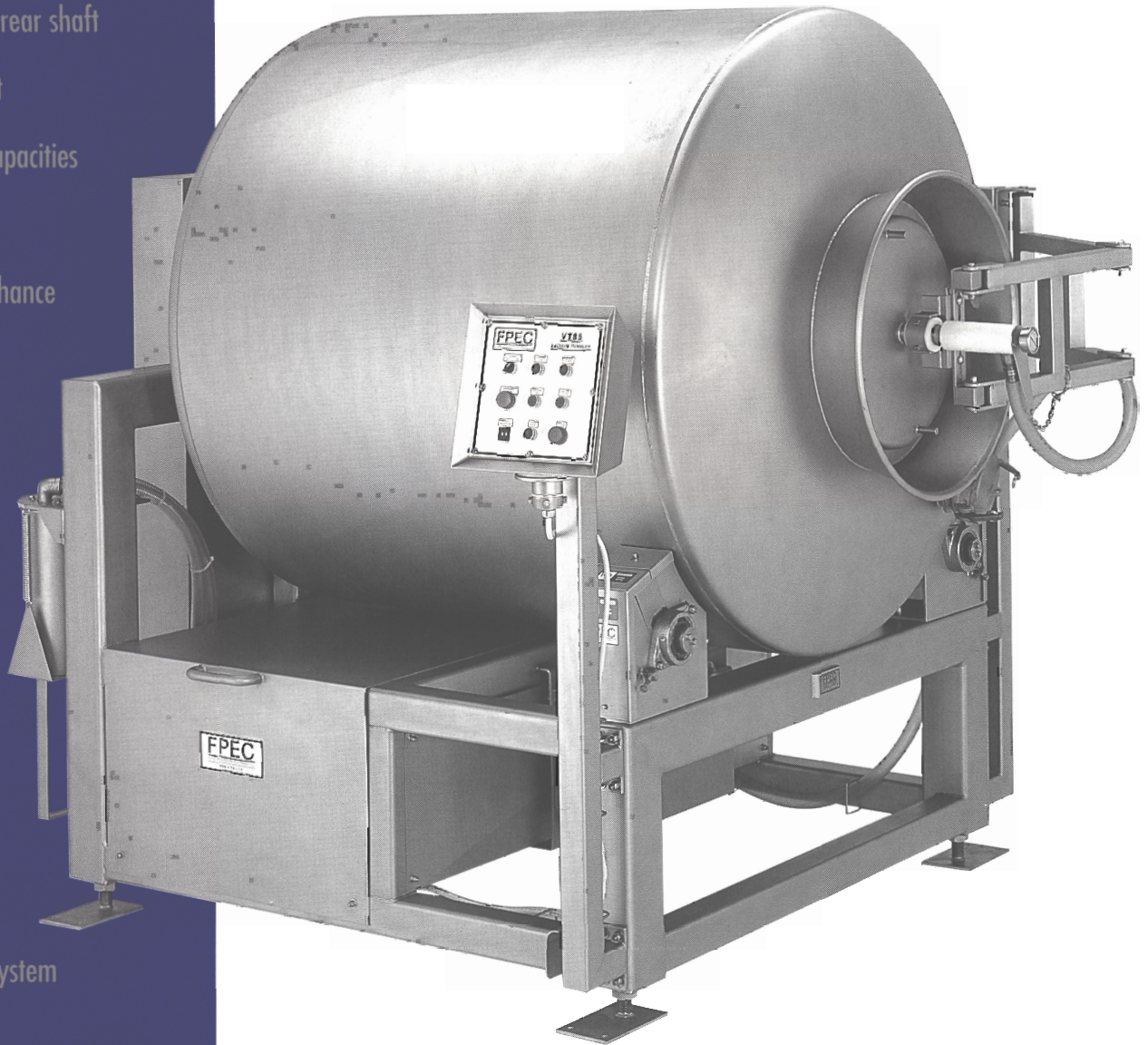


FPEC

FOOD PROCESSING EQUIPMENT CO.

Meet the Direct Drive VT-85 from FPEC

- Single door
- Sprocket mounted on rear shaft
- Clean out port in front
- Drum sizes to fit all capacities
- Space saving
- Elongated drum to enhance massage surface area
- Continuous vacuum
- Easy cleaning and maintenance
- Simple reverse rotation unloading
- Through the shaft loading
- CO₂ injection system
- Glycol jacket
- Vacuum loading
- Infinite cycle control system
- Load cells
- Rugged and durable to take years of production



Please
note the new
Arkansas
area code:
479

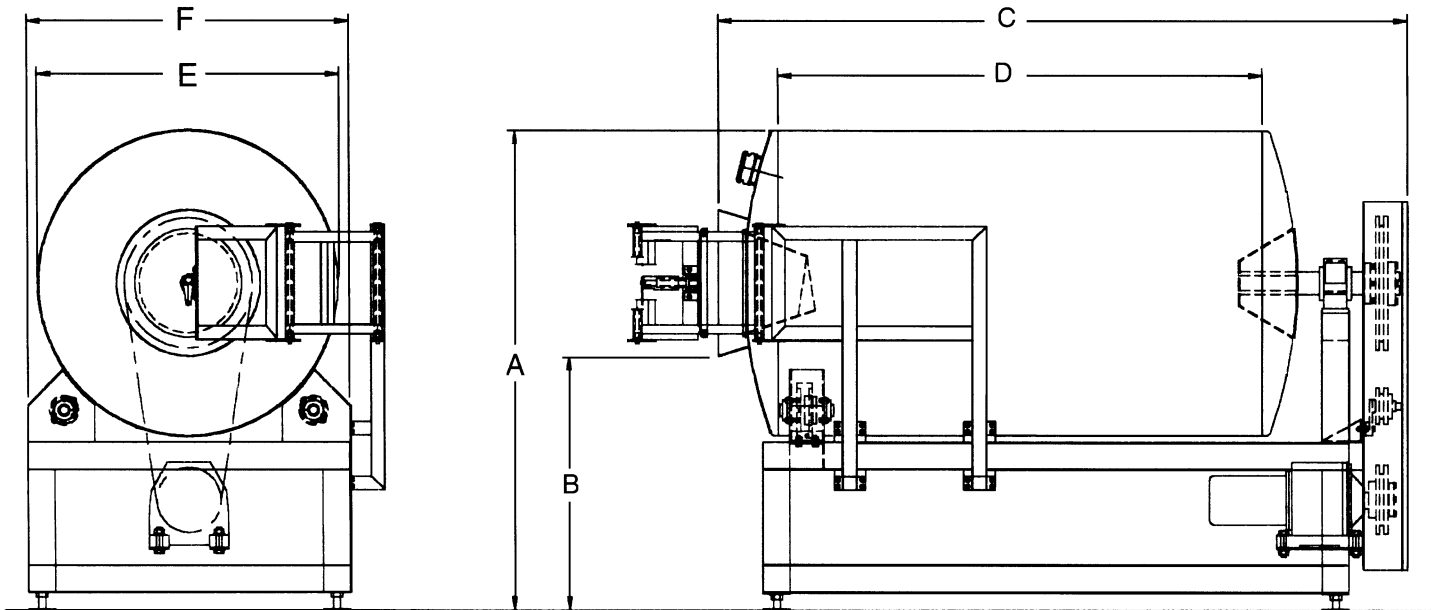
2216 Ford Ave., Springdale, AR 72764
(501) 751-9392 • Fax (501) 751-9399

13623 Pumice St., Santa Fe Springs, CA 90670
(562) 802-3727 • Fax (562) 802-8621

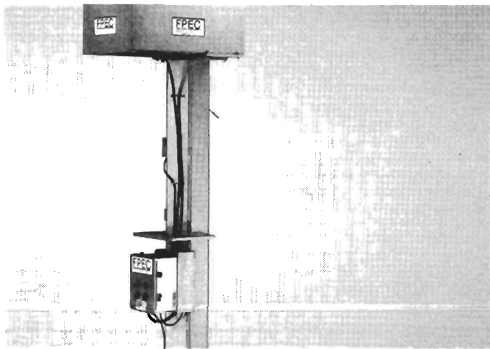
<http://www.fpec.com>

The rugged and durable Direct Drive VT-85 from FPEC offers an elongated drum to enhance massage surface area, a continuous vacuum and is easy to load and unload. Added features and drum sizes to fit all capacities ensures the Direct Drive VT-85 will handle all your production needs for years to come.

FPEC—A Company Built on Trust.



Capacity	A	B	C	D	E	F	Drive H.P.	Vacuum H.P.	CU. FT. (tank 1/2 full)
1000 lb.	84"	43"	56"	96"	48"	48"	3	2	29
2000 lb.	96"	50"	60"	90"	68"	72"	5	5	63
2500 lb.	96"	50"	60"	90"	68"	72"	7 1/2	5	63
3000 lb.	96"	50"	72"	102"	68"	72"	10	5	76
3500 lb.	96"	50"	84"	114"	68"	72"	10	5	88
4000 lb.	96"	50"	90"	122"	68"	72"	10	7 1/2	94
5000 lb.	96"	50"	96"	128"	68"	72"	15	7 1/2	100
6000 lb.	96"	50"	108"	140"	68"	72"	15	10	113
8000 lb.	104"	50"	120"	152"	76"	80"	20	15	157
10000 lb.	104"	50"	132"	152"	76"	80"	25	15	189



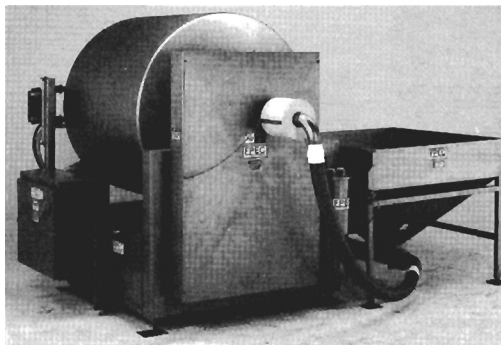
Traditional front loading system.



2216 Ford Ave., Springdale, AR 72764
 (501) 751-9392 • Fax (501) 751-9399

13623 Pumice St., Santa Fe Springs, CA 90670
 (562) 802-3727 • Fax (562) 802-8621

<http://www.fpec.com>



New, time saving shaft loading system.

